

RETAIN FOR REFERENCE

INK BOTTLE SIZES

MODELS
22 - 28
44 - 416

1/4 OZ.

MODELS 66
88 - 1010
616 - 816

1/2 OZ.

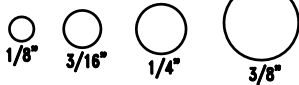
PREFILLED: (25 OR 50 PK)

DOT MARKING HEAD

AVAILABLE IN THESE DIAMETERS

MODEL 22: 1/8, 3/16, 1/4"

MODEL 44: (OPTIONAL) 1/8, 3/16, 1/4, 3/8"



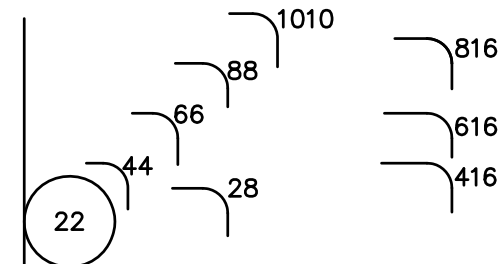
MARKING HEAD
PLATE

DOT HOLDER
(SPECIFY DIAMETER AND
MACHINE MODEL NO.)

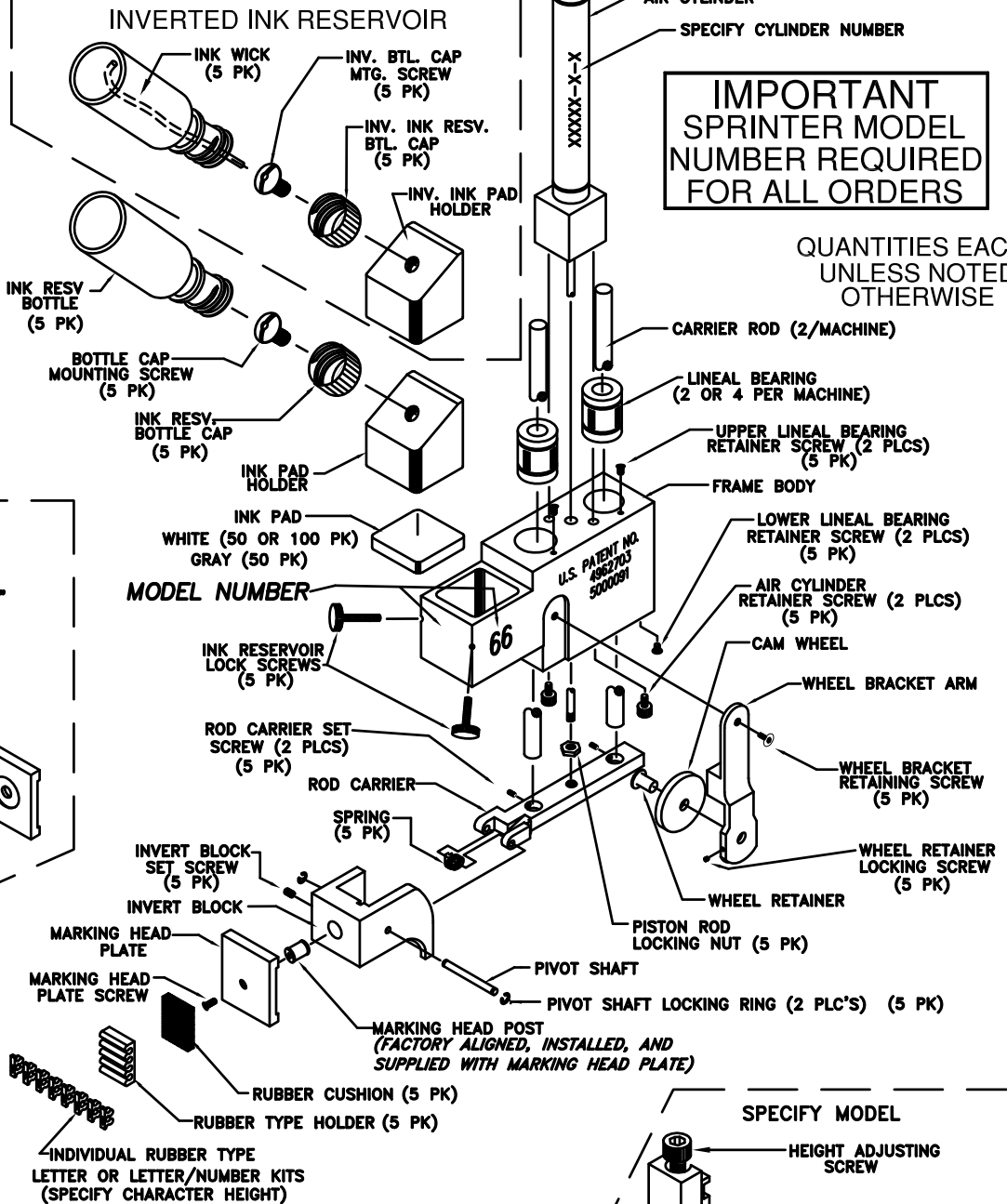
ROUND DOT
TRANSFER MEDIUM
(SPECIFY DIAMETER)
(50 PK)

QUANTITIES EACH
UNLESS NOTED
OTHERWISE

INK PAD MODEL IDENTIFICATION GUIDE



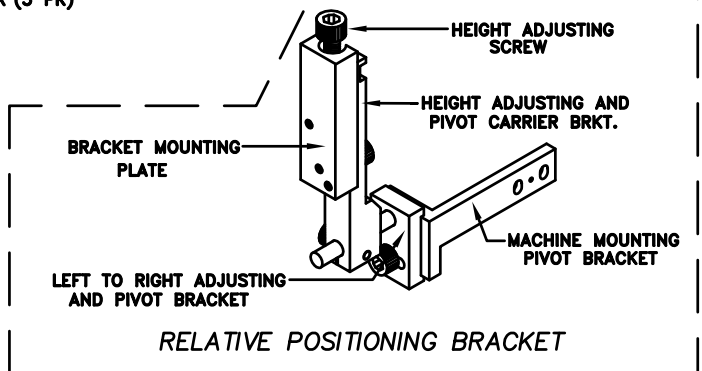
ALIGN INK PAD AT EDGES, READ MODEL NUMBER



**IMPORTANT
SPRINTER MODEL
NUMBER REQUIRED
FOR ALL ORDERS**

QUANTITIES EACH
UNLESS NOTED
OTHERWISE

SPECIFY MODEL



LIVE TECH SUPPORT 9:00 TO 4:30 EST.
PHONE: 740 453-1000

COPYRIGHT © 2020, SPRINTER MARKING, INC. ALL RIGHTS RESERVED.

SPRINTER MARKING

1805 CHANDLERSVILLE RD.
ZANESVILLE, OH 43701

DRAWING NAME
**EXPLODED PARTS DRAWING AND
MODEL IDENTIFICATION GUIDE**

| | |
|----------|-------------|
| DATE | 05/11/2020 |
| REV. | 5 |
| CAD FILE | 4ISOEXP2-3A |

TO ORDER:
PHONE 740 453-1000 FAX 740 453-6750 sales@sprintermarking.com